



TENSION Trolley
Design: Gustav Winsth, 2024



A VEHICLE FOR PLAYFUL EXPRESSION

Designed by Gustav Winsth, Tension reimagines the trolley for the contemporary moment. With his background in mechanical engineering, Winsth summoned this industrious spirit to celebrate the trolley as a vehicle — with the custom-made, Lammhults-branded castors forming a pleasing standout feature.

Tension is inspired by both the sleek minimalism of today's personal devices and Lammhults' bold S70 series from the late 60s. Featuring a sturdy steel tube frame and ultra-slim shelves, the trolley is a practical addition to any interior — whether used for display, storage or hospitality.

The trolley's name references the tension cables on a suspension bridge and emphasises its construction as a feat of thoughtful engineering — expertly storing its cargo with a tip guard and optional non-slip leather cover equipping the lower shelf.

“A trolley is a vehicle, so I made the castors visible and integral to the overall design. Subtly inspired by skate culture, the custom mobility system gives Tension its playful personality.”

— Gustav Winsth, Designer





TENSION

TROLLEY

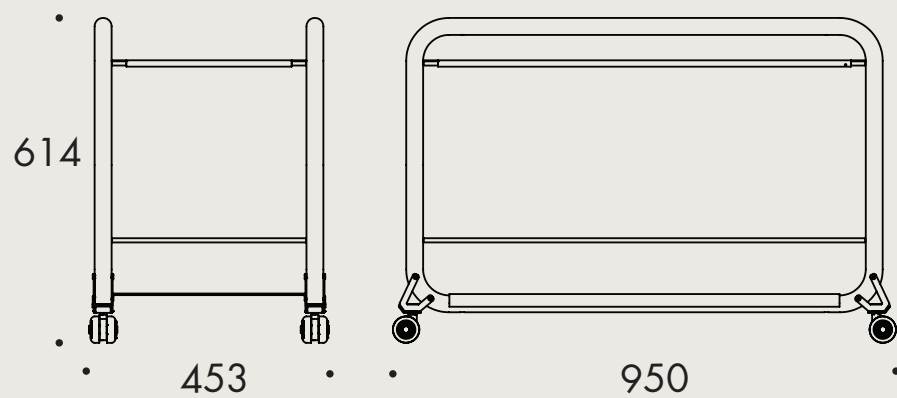


TROLLEY INCLUDING LEATHER COVER



LAMMHULTS

SPECIFICATIONS



Powder coated frame in Ø32 mm steel tubing. Caster suspension in 2mm powder coated steel sheet. Caster bracket in die-cast zinc, powder-coated. Casters in softened PE, white RAL9010 with black Lammhults logo. Two shelves of 2mm powder coated or stainless steel sheet.

OPTIONS

Matching piqué leather cover on the lower shelf at additional cost.

WEIGHT

Trolley	22 kg
Trolley with leather	22.4 kg





LAMMHULTS

Lammhults Möbel AB

Box 26
SE-363 03 Lammhult
Sweden

+46 472 26 95 00
info@lammhults.se
lammhults.se